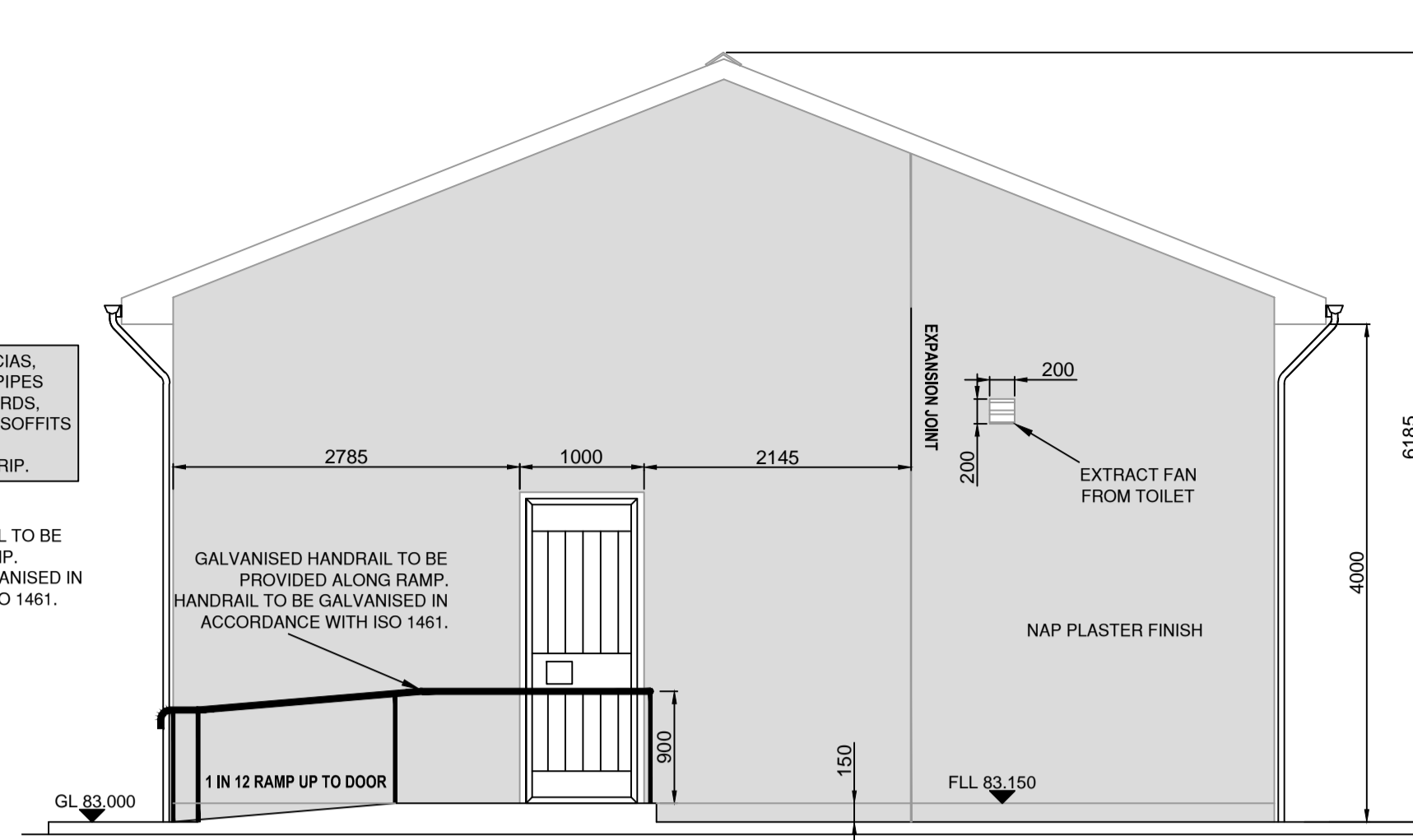
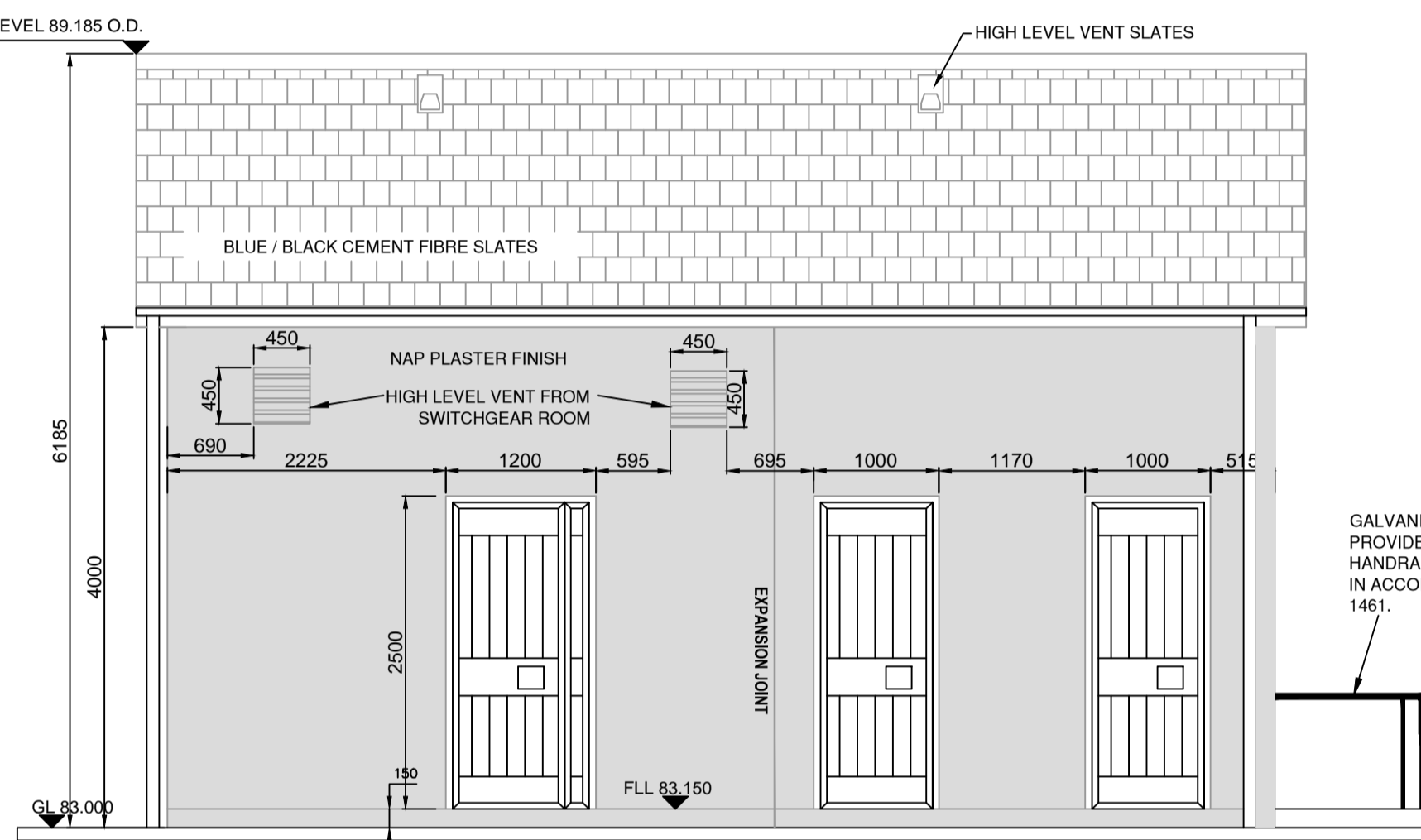


**NORTH WEST ELEVATION**  
SCALE 1:50

ALL EXTERNAL DOORS, FRAMES AND IRONMONGERY TO BE IN ACCORDANCE WITH CLIENT SPECIFICATION.

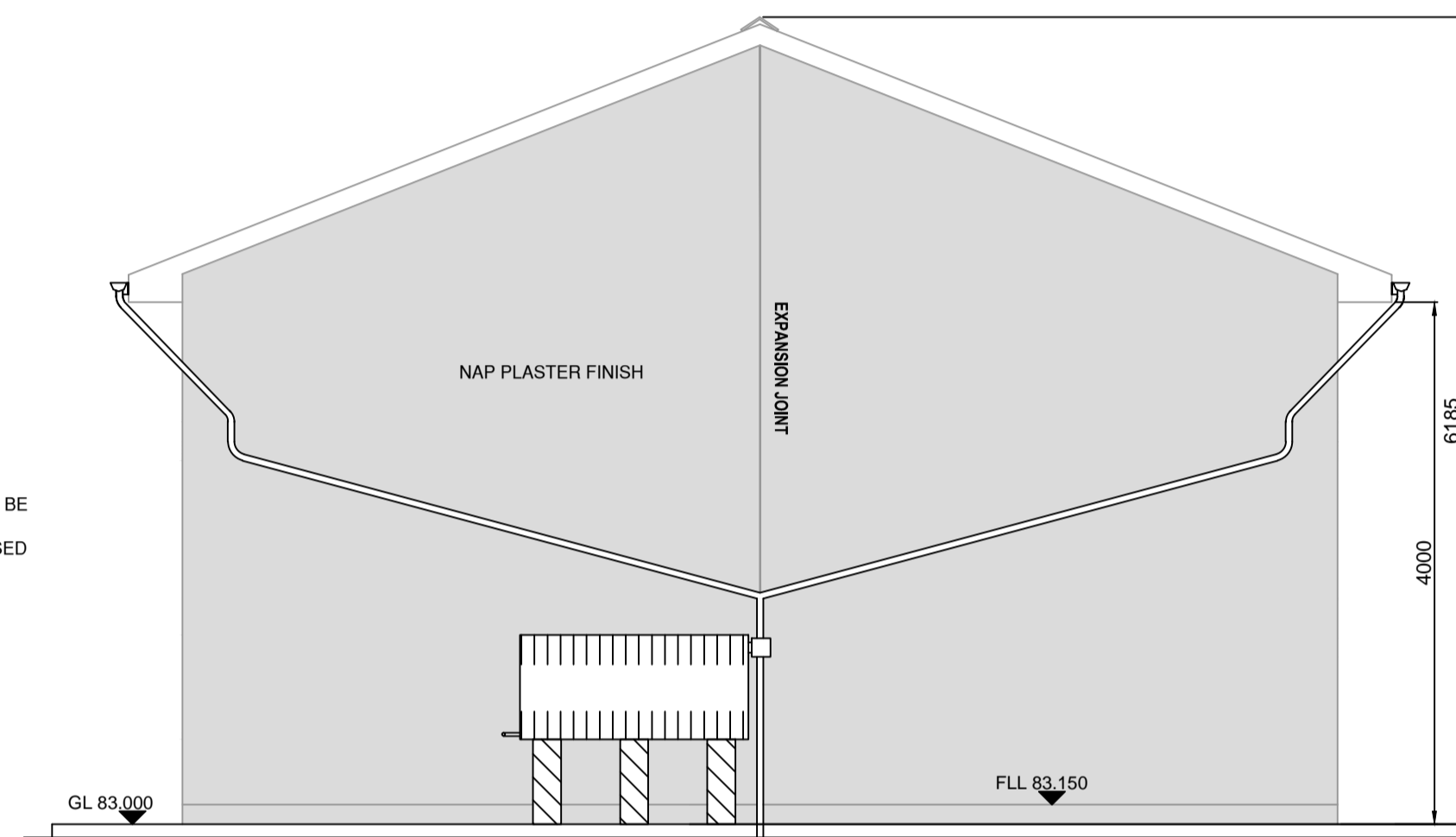


**NORTH EAST ELEVATION**  
SCALE 1:50

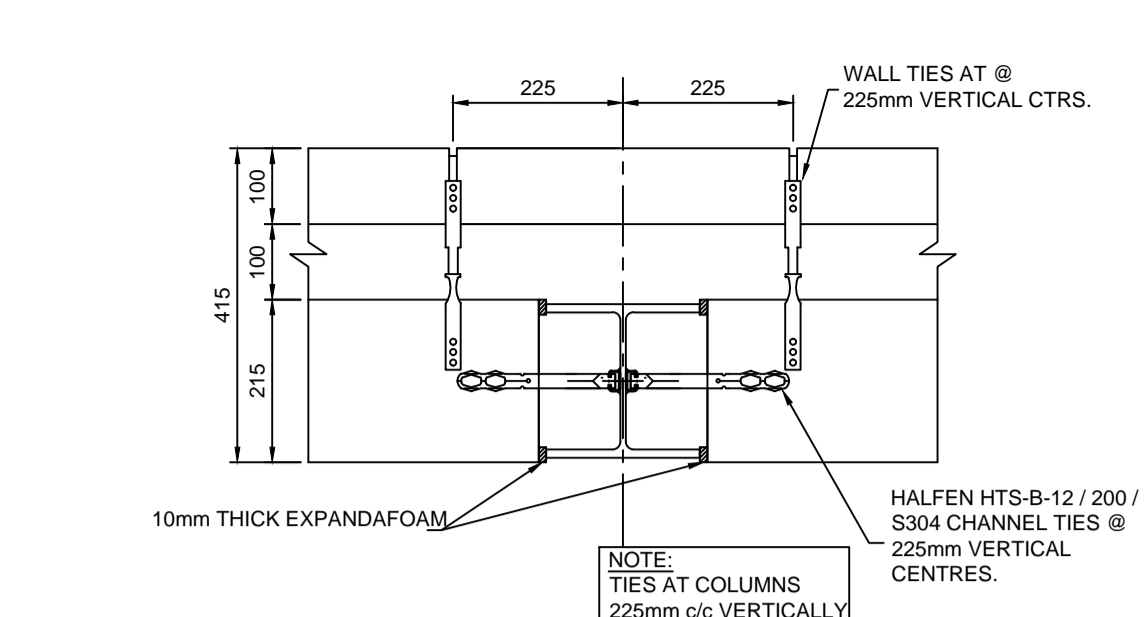


**SOUTH EAST ELEVATION**  
SCALE 1:50

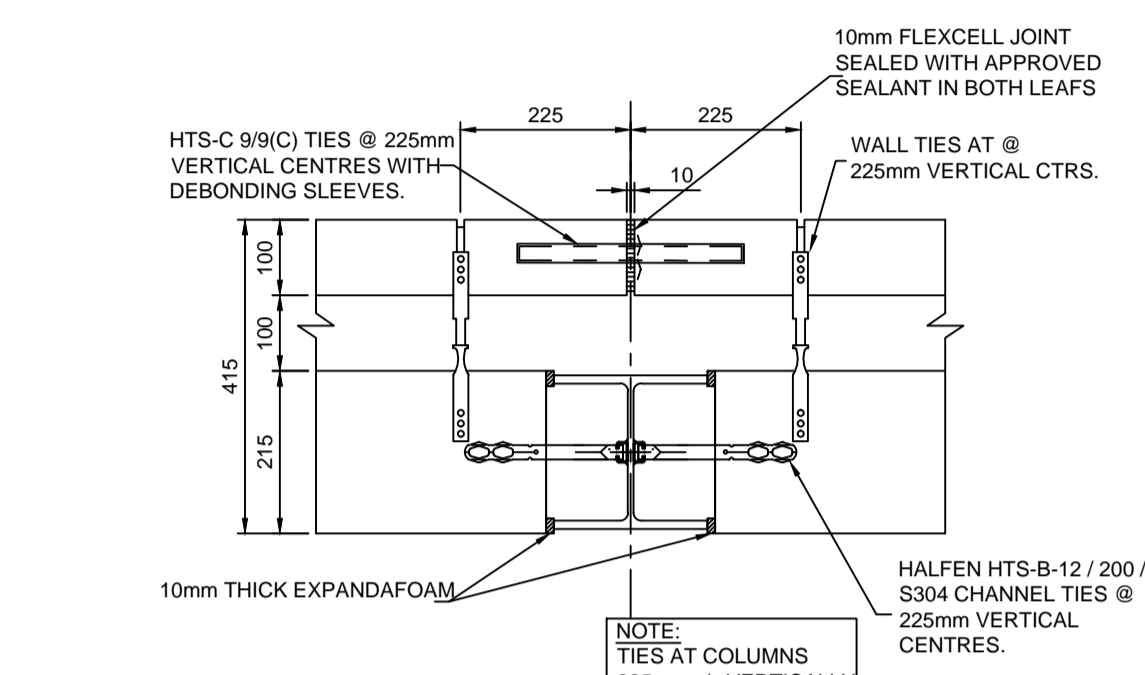
ALL EXTERNAL DOORS, FRAMES AND IRONMONGERY TO BE IN ACCORDANCE WITH CLIENT SPECIFICATION.



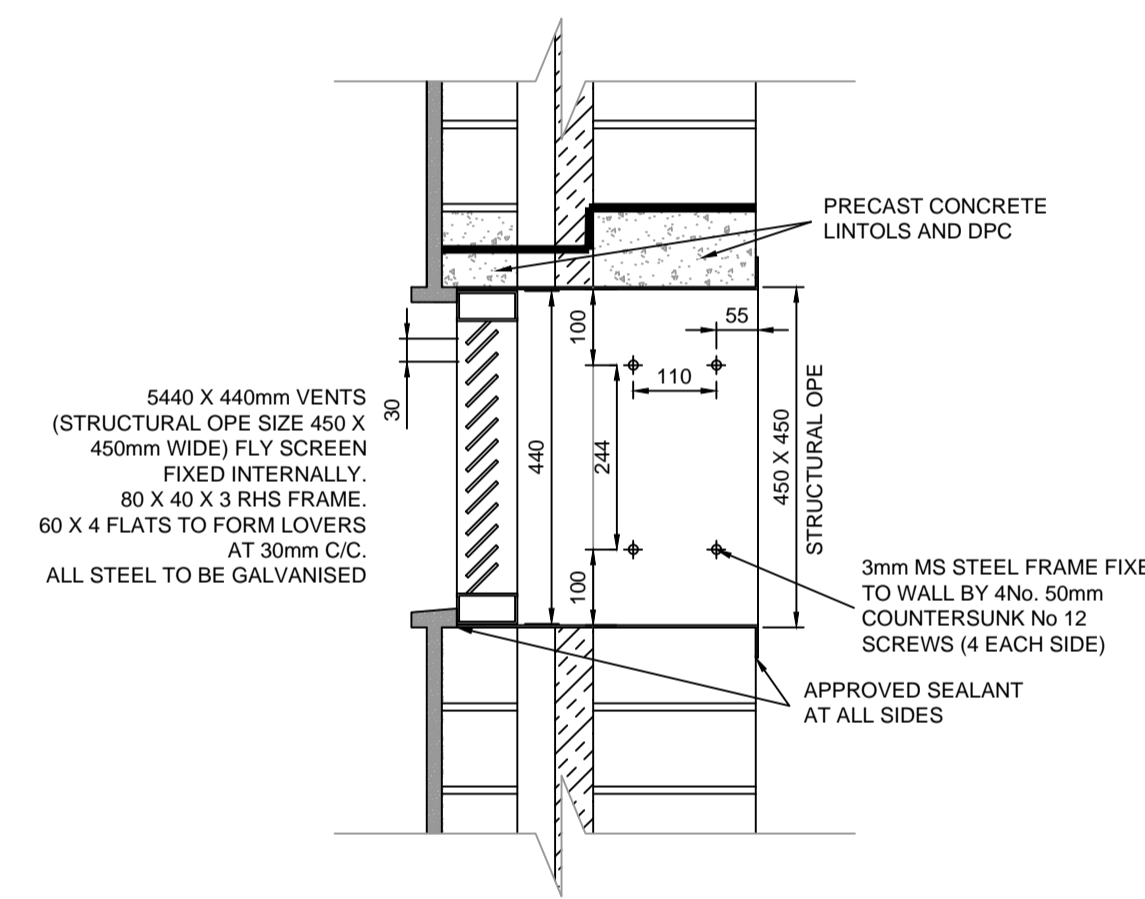
**SOUTH WEST ELEVATION**  
SCALE 1:50



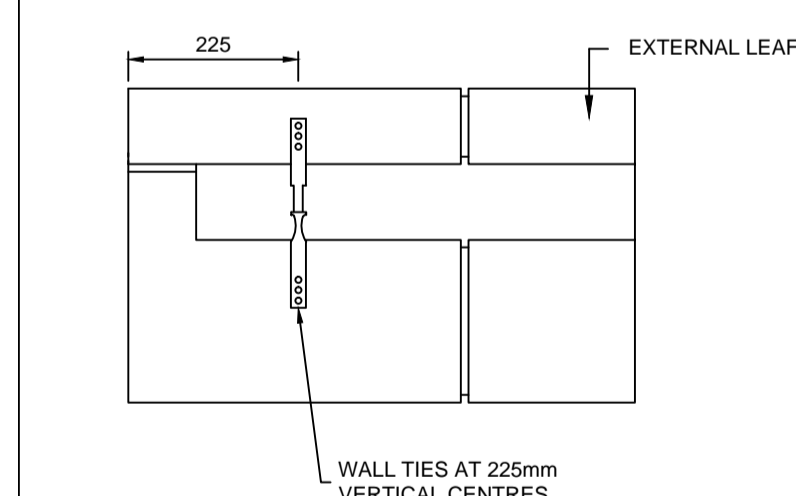
**STEEL COLUMNS IN BLOCKWORK WALL**  
SCALE 1:10



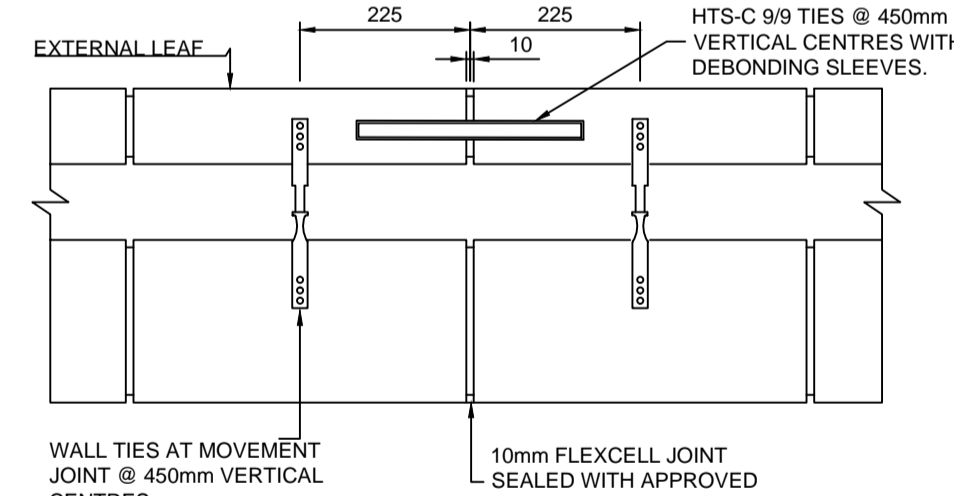
**MOVEMENT JOINT AT STEEL COLUMNS**  
SCALE 1:10



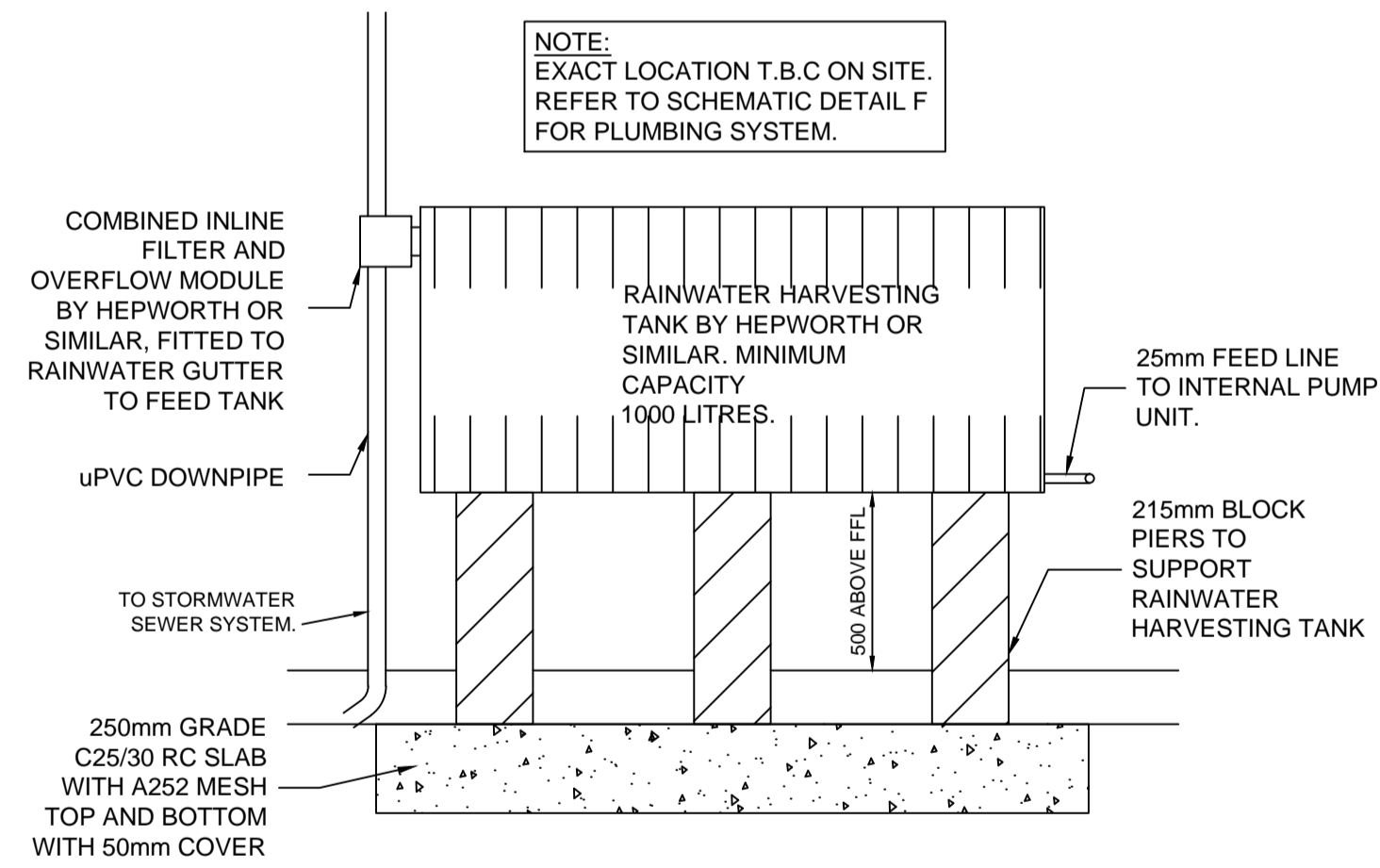
**TYPICAL VENT DETAIL**  
SCALE 1:10



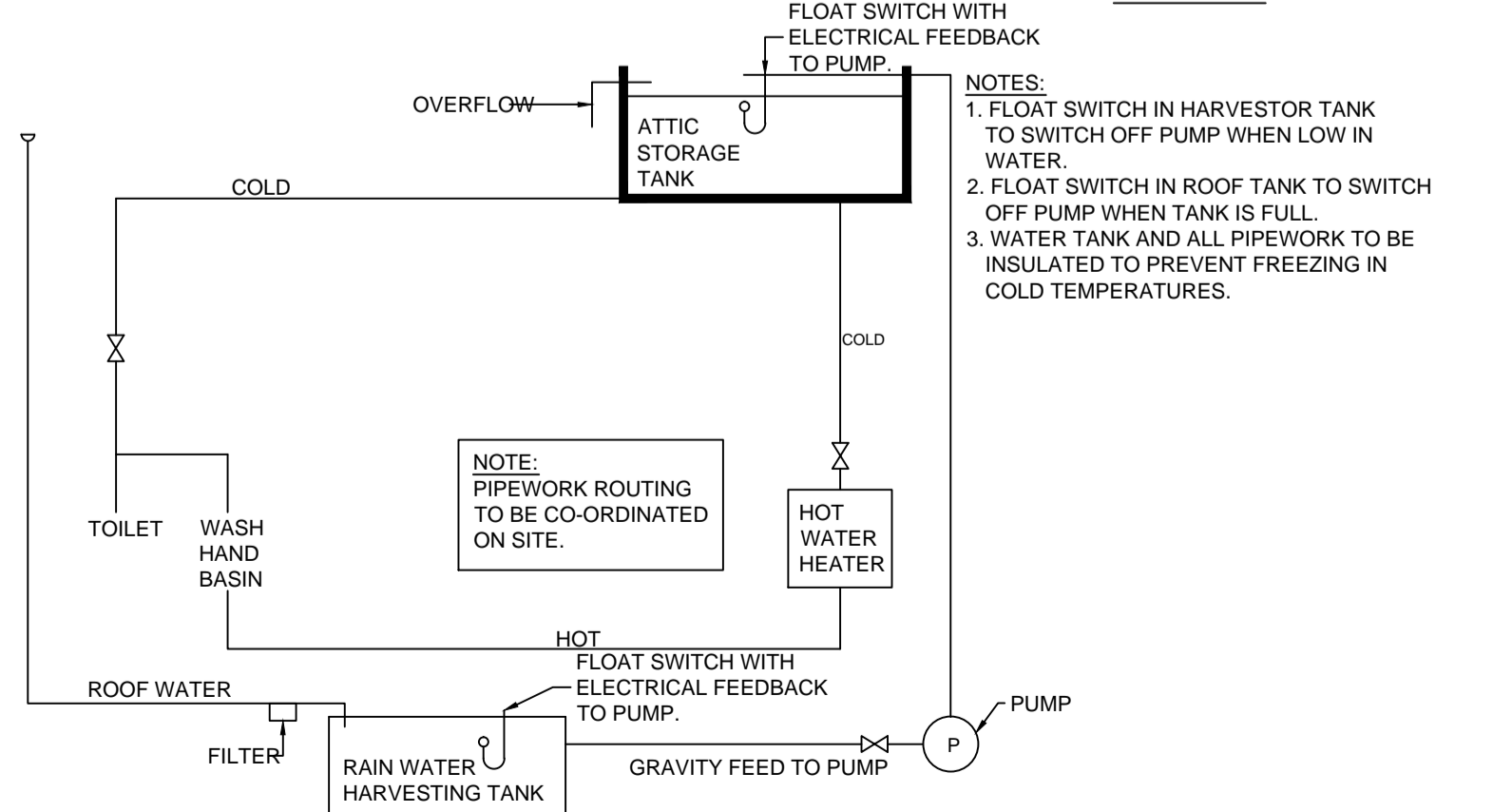
**OPENING IN EXTERNAL WALL DETAIL**  
SCALE 1:10



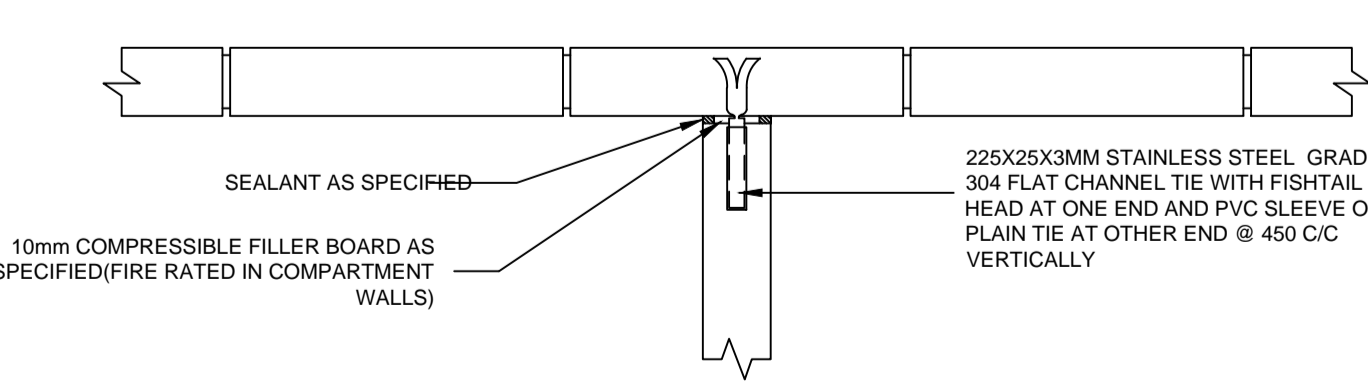
**MOVEMENT JOINT IN EXTERNAL WALL**  
SCALE 1:10



**DETAIL D - RAINWATER HARVESTING**  
SCALE 1:20



**DETAIL F - PLUMBING SCHEMATIC**  
N.T.S.



**INTERNAL WALL T-JUNCTION WHERE BLOCKWORK IS NOT KEYPED-IN**  
SCALE 1:10

- Notes**
1. FIGURED DIMENSIONS ONLY TO BE TAKEN FROM THIS DRAWING.
  2. ALL DRAWINGS TO BE CHECKED BY THE CONTRACTOR ON SITE.
  3. ENGINEER TO BE INFORMED OF ANY DISCREPANCIES BEFORE ANY WORK COMMENCES.
  4. ALL LEVELS REFER TO ORDNANCE DATUM (MALIN HEAD).

rev.	modifications	by	chkd	date

client	GREEN WIND ENERGY GROUP.						
project	YELLOW RIVER WIND FARM, COUNTY OFFALY.						
stage	PLANNING - SECTION 2						
title	CLIENT CONTROL BUILDING - ELEVATIONS AND DETAILS						
scale	AS SHOWN						
surveyed	GWE	drawn	D. Guilfoyle	checked	N. Carr	date	April 2014

© COPYRIGHT OF  
**JENNINGS O'DONOVAN & PARTNERS**  
 CONSULTING ENGINEERS,  
 FINISKLIN,  
 SLIGO,  
 IRELAND.  
 TEL. +353 (0)71 916 1416  
 FAX. +353 (0)71 916 1080  
 Email: info@jodireland.com



drawing no.	4909 - PL - S2 - 203	revision				
-------------	----------------------	----------	--	--	--	--